

UTILITY REQUIREMENTS

7A POWER SERVICE
 24 VOLTS DC
 .25 GPM, CELL CLEAN WATER
 (NOT OILY – FRESH OR SEA WATER)

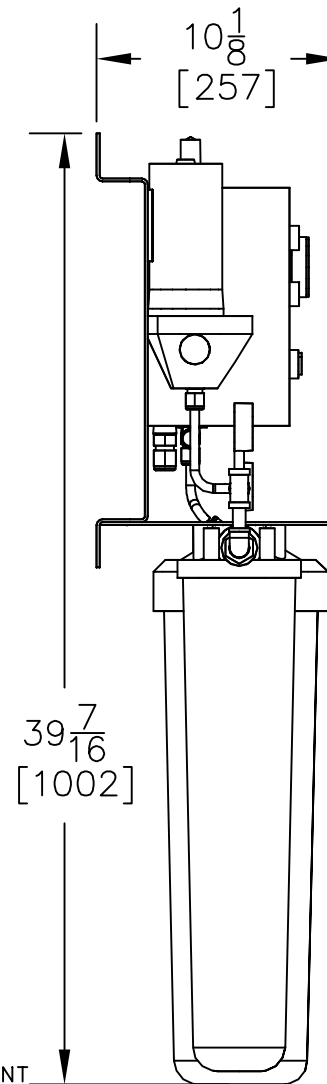
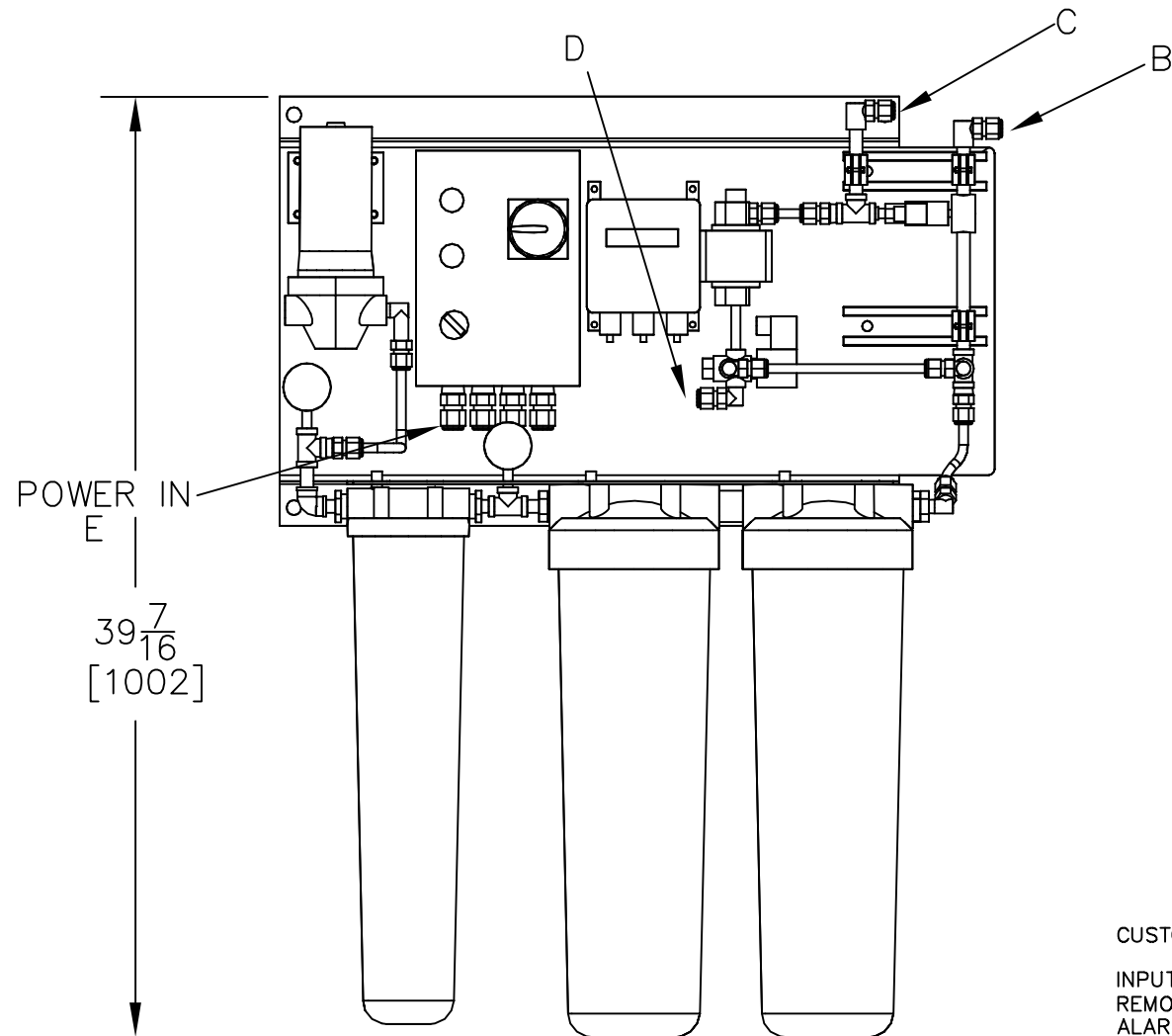
UNIT CONNECTIONS

- (A) –OILY WATER INLET 3/8 NYLON TUBE PUSH LOCK
- (B) –DISCHARGE WATER OUT 3/8 NYLON TUBE PUSH LOCK
- (C) –RECYCLE WATER OUT 3/8 NYLON TUBE PUSH LOCK
- (D) –CELL CLEAN WATER 3/8 NYLON TUBE PUSH LOCK
- (E) –POWER IN 24VDC ONLY @ 7 AMPS

PAINT SYSTEM:

BLAST SSPC SP-10 2.0 – 3.0 MIL PROFILE
 PRIMER COAT SHERWIN WILLIAMS OR EQUIVALENT
 RECOATABLE EPOXY PRIMER 4–6 MILS DRY
 TOP COAT SHERWIN WILLIAMS OR EQUIVALENT
 HIGH SOLIDS POLYURETHANE 2–3 MILS DRY
 COLOR RAL6029 MINT GREEN

DRY WEIGHT – 83 LBS/37.6 KG
 WET WEIGHT – 132 LBS/60 KG
 WEIGHTS INCLUDE MEDIA



CUSTOMER INTERFACE

INPUT POWER: 24 VDC @ 7 AMPS
 REMOTE START/STOP CONTACT CLOSURE
 ALARM SIGNAL 4–20 MA 1–15PPM OIL CONTENT
 ALARM #2 1–15 PPM OVER LIMIT ALARM
 INTERNAL CONTACT CLOSURE
 3A @ 250VAC

PROPRIETARY AND CONFIDENTIAL
 THE INFORMATION CONTAINED IN THIS
 DRAWING IS THE SOLE PROPERTY OF
 RECOVERED ENERGY, INC. ANY
 REPRODUCTION IN PART OR AS A WHOLE
 WITHOUT THE WRITTEN PERMISSION OF
 RECOVERED ENERGY, INC. IS PROHIBITED.

WAVE MiniBOSS
 OILY WATER SEPARATOR
 1 GPM/.25M3/H
 GENERAL ARRANGEMENT

CUSTOMER:		REI	
DRAWN BY:	DCD	P.O. NO.	—
CHECKED BY:	—	DATE:	SHEET NO. 1 OF 3
SCALE:	NONE	SEPT2016	REV M1.2



www.waveinternational.co.uk

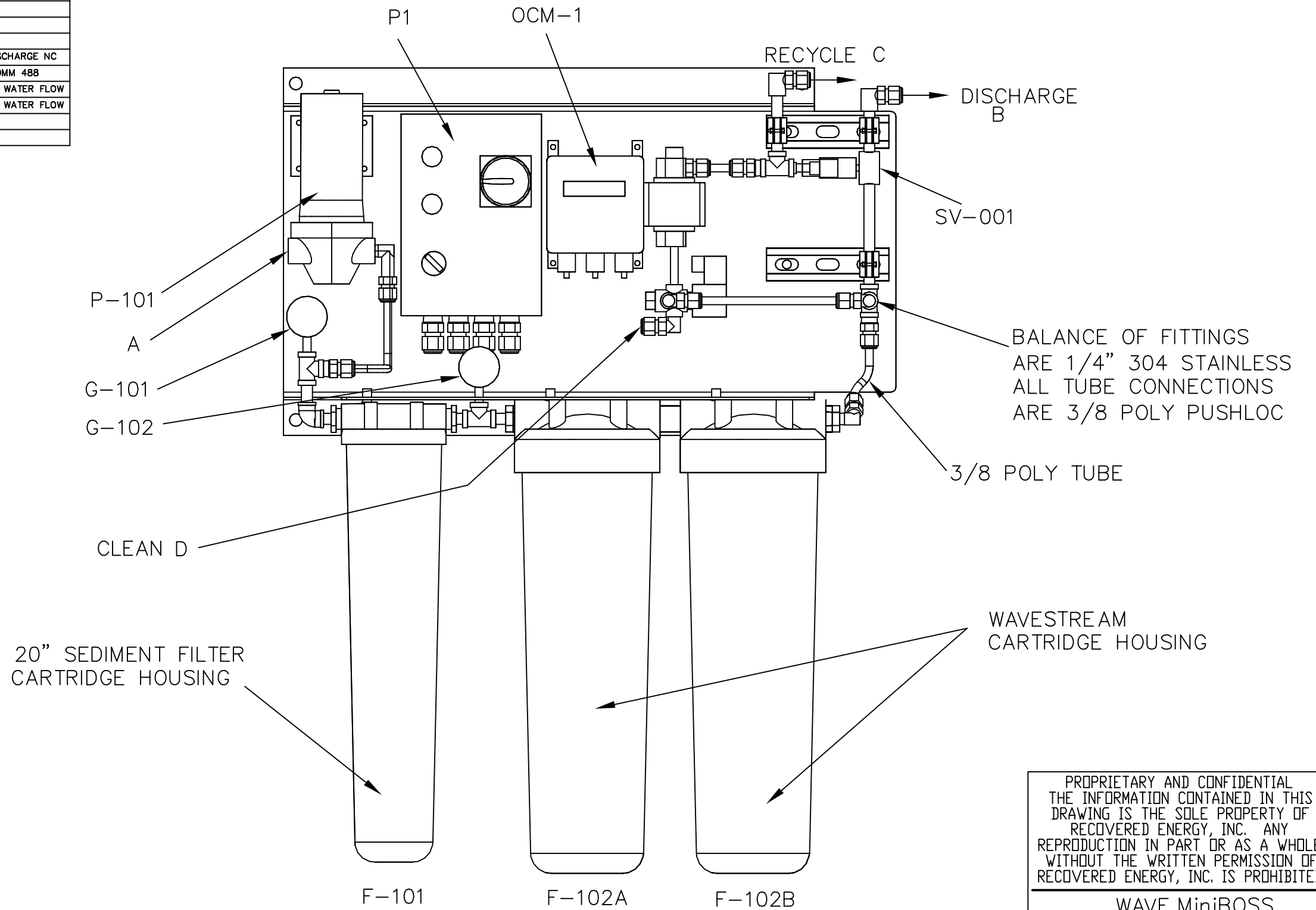
Tel.: + 44 1476 861717

info@waveinternational.co.uk

VALVE & COMPONENT SCHEDULE				
MARK	DESCRIPTION	MINI BOSS	MAT	USE
G-101	PRESSURE GAUGE	1/4"	SS	PRE-SEDIMENT FILTER PRESSURE
G-102	PRESSURE GAUGE	1/4"	SS	POST-SEDIMENT FILTER PRESSURE
F-101	SEDIMENT FILTER 5 MICRON	2.5" X 20"	PP	PREFILTER SEDIMENT
F-102A	BIG BLUE WAVESTREAM	4.0" X 20"	NA	OIL REMOVAL FILTER
F-102B	BIG BLUE WAVESTREAM	4.0" X 20"	NA	OIL REMOVAL FILTER
P1	CONTROL PANEL BOX	NA	FG	SYSTEM OPERATIONAL CONTROL
SV-001	3 WAY SOLENOID VALVE	1/4"	SS	DIVERTER VALVE RECYCLE NO DISCHARGE NC
OCM-1	OIL CONTENT MONITOR	NA	SS	OIL IN WATER ALARM BRANNSTROMM 488
P-101	INLET PUMP	3/8"	PP	DIAPHRAGM DISPLACEMENT PUMP WATER FLOW
P1	BOSS CENTRAL PANEL	3/8"	PC	DIAPHRAGM DISPLACEMENT PUMP WATER FLOW

NOTES:

LEGEND:
 MB - MARINE BRONZE
 SS - STAINLESS STEEL
 PP - POLYPROPYLENE
 PC - POLYCARBONATE



PROPRIETARY AND CONFIDENTIAL
 THE INFORMATION CONTAINED IN THIS
 DRAWING IS THE SOLE PROPERTY OF
 RECOVERED ENERGY, INC. ANY
 REPRODUCTION IN PART OR AS A WHOLE
 WITHOUT THE WRITTEN PERMISSION OF
 RECOVERED ENERGY, INC. IS PROHIBITED.

WAVE MiniBOSS
 OILY WATER SEPARATOR
 1 GPM/.25M3/H
 COMPONENT ID

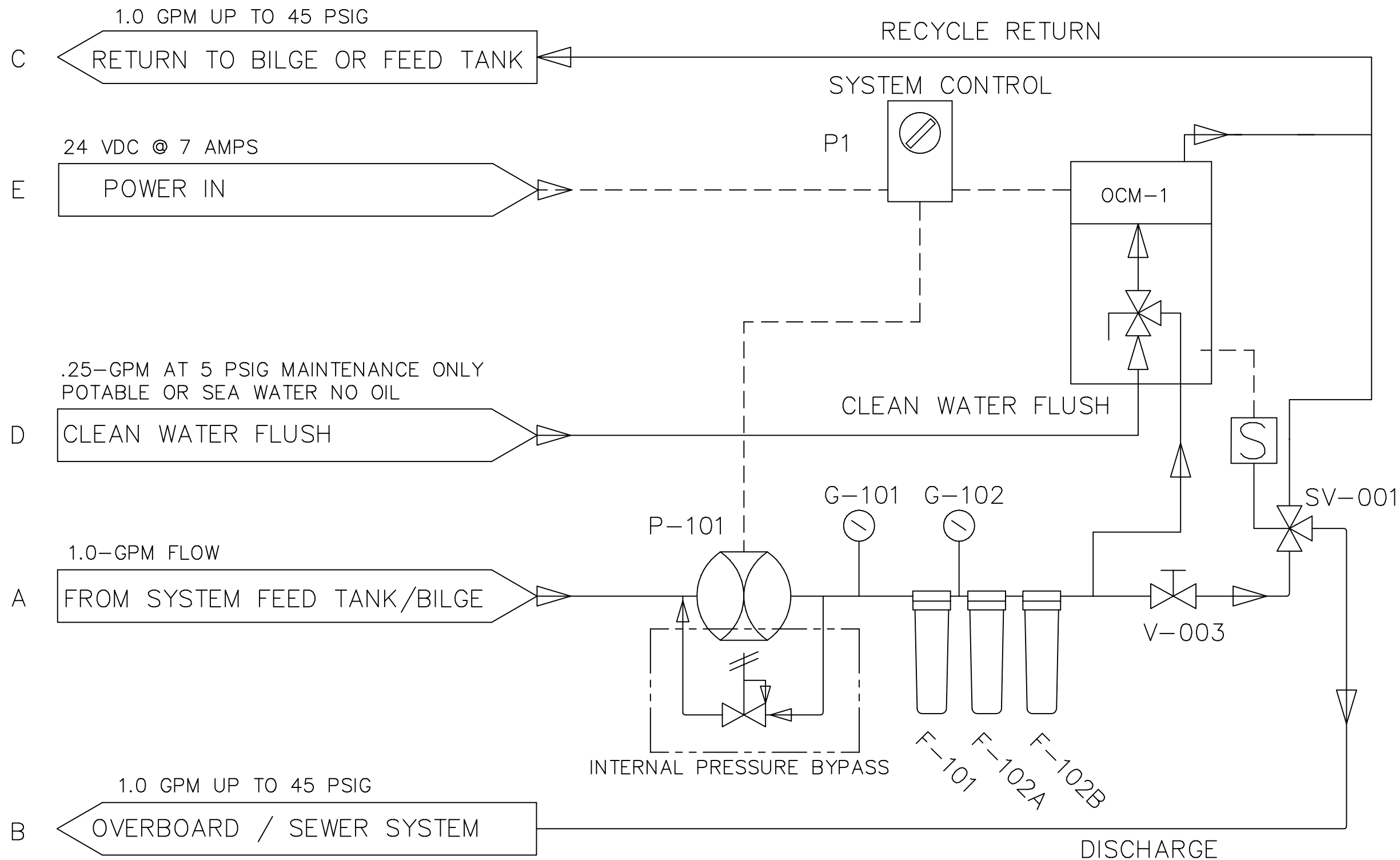
CUSTOMER:		REI	
DRAWN BY:	DCD	P.O. NO.	—
CHECKED BY:	—	DATE:	SHEET NO. 2 OF 3
SCALE:	NONE	SEPT2016	MBCID001R1.2 REV M1.2



www.waveinternational.co.uk

Tel.: + 44 1476 861717
 info@waveinternational.co.uk

NOTES:



PROPRIETARY AND CONFIDENTIAL
THE INFORMATION CONTAINED IN THIS
DRAWING IS THE SOLE PROPERTY OF
RECOVERED ENERGY, INC. ANY
REPRODUCTION IN PART OR AS A WHOLE
WITHOUT THE WRITTEN PERMISSION OF
RECOVERED ENERGY, INC. IS PROHIBITED.

WAVE MiniBOSS
OILY WATER SEPARATOR
1 GPM/.25M3/H
P&ID

CUSTOMER: REI

DRAWN BY:	DCD	P.O. NO.	—	
CHECKED BY:	—	DATE:	SHEET NO.	3 OF 3
SCALE:	NONE	SEPT2016	MBGEN001R1.2	REV M1.2



www.waveinternational.co.uk

Tel.: + 44 1476 861717

info@waveinternational.co.uk